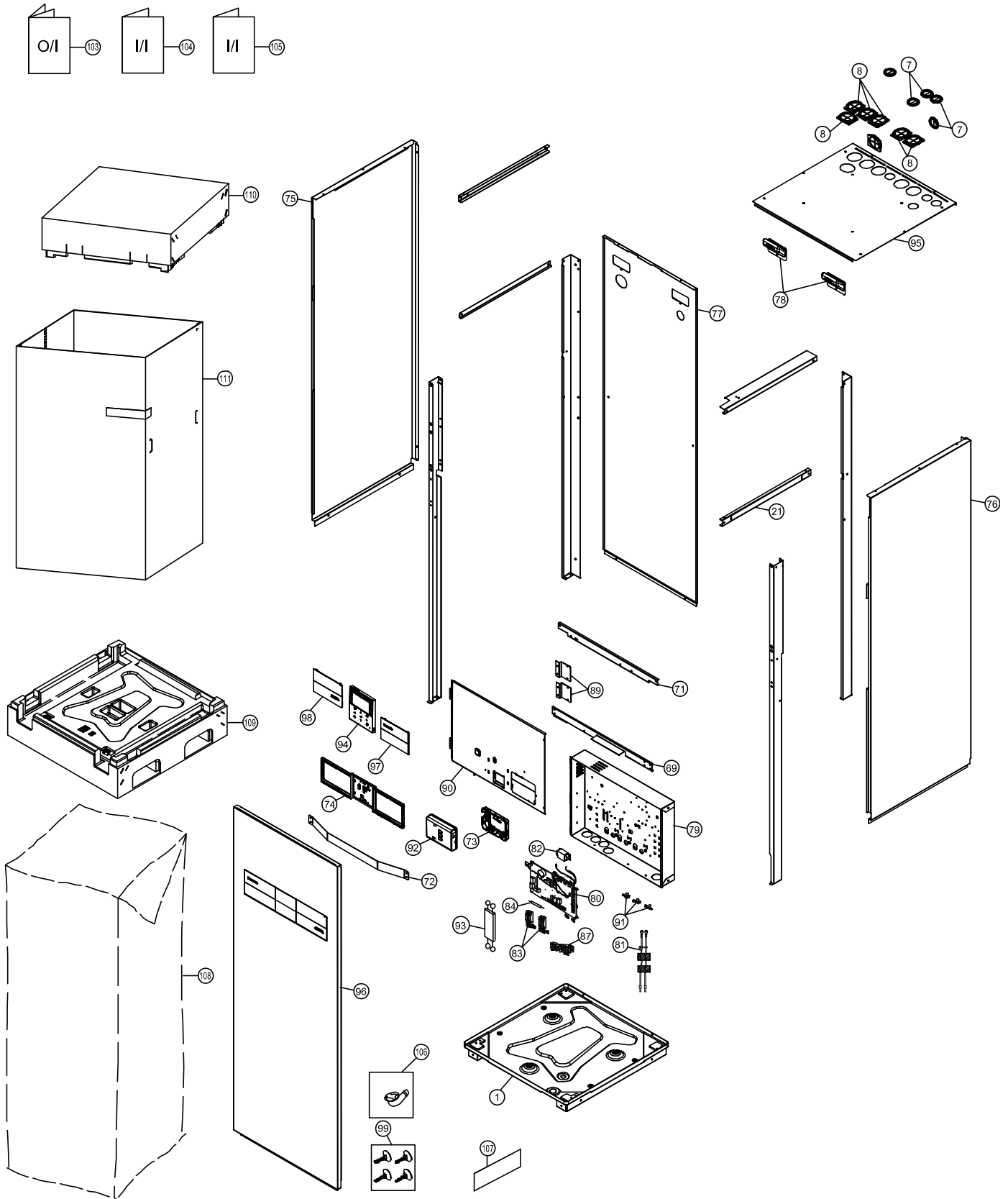
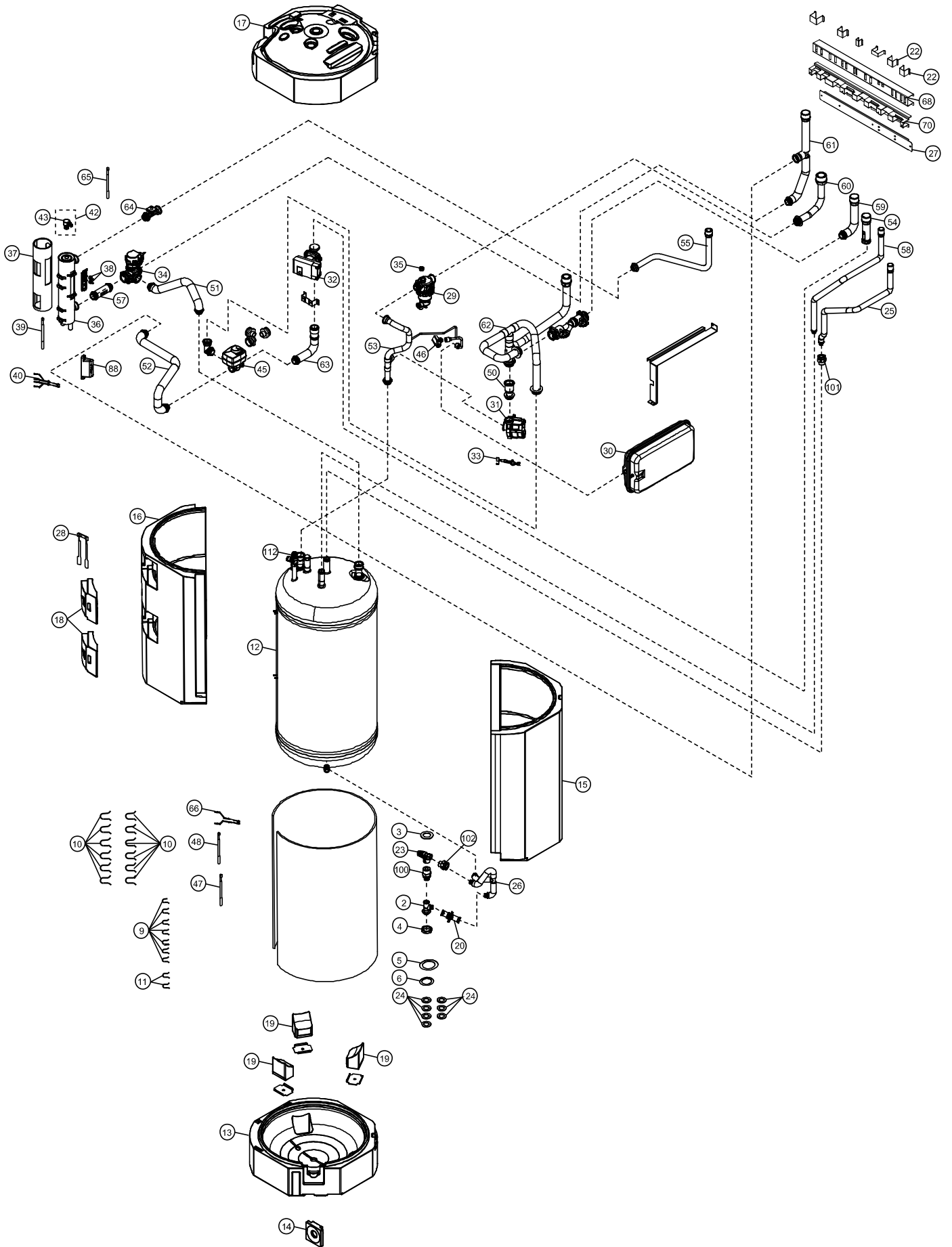


### 23.1.3 WH-ADC0509L3E5B









**Note:**  
The above exploded view is for the purpose of parts disassembly and replacement.  
The non-numbered parts are not kept as standard service parts.






**Note:**

The above exploded view is for the purpose of parts disassembly and replacement. The non-numbered parts are not kept as standard service parts.

| SAFETY | REF. NO. | DESCRIPTION & NAME             | QTY. | WH-ADC0509L3E5B | REMARK |
|--------|----------|--------------------------------|------|-----------------|--------|
|        | 1        | CHASSIS - COMPLETE             | 1    | ACXD50C04840    |        |
|        | 2        | TUBE CONNECTER                 | 1    | ACXT29-02570    |        |
|        | 3        | O-RING (ID: 27mm)              | 1    | ACXB81-07070    |        |
|        | 4        | NUT                            | 1    | ACXH56-01370    |        |
|        | 5        | O-RING (ID: 25.70mm) (TUBE)    | 1    | ACXB81-06910    |        |
|        | 6        | O-RING (ID: 8.1mm)             | 1    | CWB811179       |        |
|        | 7        | O-RING (ID: 35mm)              | 4    | ACXB81-00030    |        |
|        | 8        | O-RING (ID: 54mm X 47mm)       | 6    | ACXB81-00040    |        |
|        | 9        | RETAINING RING                 | 7    | CWH581007       |        |
|        | 10       | RETAINING RING                 | 12   | ACXH58-00370    |        |
|        | 11       | RETAINING RING                 | 2    | CWH581038       |        |
|        | 12       | TANK COMPLETE                  | 1    | ACXB56C01210    |        |
|        | 13       | FOAMED POLYSTYRENE             | 1    | ACXG07-07690    |        |
|        | 14       | FOAMED POLYSTYRENE             | 1    | ACXG07-07700    |        |
|        | 15       | FOAMED POLYSTYRENE             | 1    | ACXG07-07710    |        |
|        | 16       | FOAMED POLYSTYRENE             | 1    | ACXG07-07720    |        |
|        | 17       | FOAMED POLYSTYRENE             | 1    | ACXG07-07731    |        |
|        | 18       | FOAMED POLYSTYRENE             | 2    | ACXG07-07740    |        |
|        | 19       | FOAMED POLYSTYRENE             | 3    | ACXG07-07750    |        |
|        | 20       | DRAIN VALVE                    | 1    | ACXB65C00111    |        |
|        | 21       | U-SHAPED PLATE                 | 1    | ACXD62-02710    |        |
|        | 22       | PARTICULAR PIECE               | 2    | CWD934023       |        |
|        | 23       | VALVE BODY                     | 1    | ACXB62-00920    |        |
|        | 24       | O-RING (ID: 13.60mm)           | 7    | ACXB81-00010    |        |
|        | 25       | TUBE ASSY - COMPLETE           | 1    | ACXT00C40900    |        |
|        | 26       | TUBE ASSY                      | 1    | ACXT00-77551    |        |
|        | 27       | CONNECTING BAR                 | 1    | ACXE26-02841    |        |
| ⚠      | 28       | SENSOR CO. (TANK TEMP CN-TH2)  | 1    | ACXA50C18700    |        |
| ⚠      | 29       | FILTER COMPLETE                | 1    | ACXB51C00110    |        |
|        | 30       | RECEIVER                       | 1    | ACXB14-00720    |        |
| ⚠      | 31       | WATER PUMP                     | 1    | ACXB53-00850    |        |
| ⚠      | 32       | WATER PUMP                     | 1    | ACXB53-00370    |        |
| ⚠      | 33       | LEAD WIRE FOR WATER PUMP       | 1    | ACXA60C73630    |        |
|        | 34       | VALVE BODY                     | 1    | ACXB62-00092    |        |
|        | 35       | PLUG                           | 1    | ACXB82-00840    |        |
| ⚠      | 36       | HEATER ASS'Y                   | 1    | ACXA34K00480    |        |
|        | 37       | SOUND PROOF MATERIAL           | 1    | ACXG30-10530    |        |
| ⚠      | 38       | THERMOSTAT                     | 2    | ACXA15-00260    |        |
| ⚠      | 39       | LEAD WIRE - CO. (CN-OLP1)      | 1    | ACXA60C93670    |        |
| ⚠      | 40       | LEAD WIRE - CO. (OLP & HEATER) | 1    | ACXA60C93680    |        |

| SAFETY  | REF. NO. | DESCRIPTION & NAME           | QTY. | WH-ADC0509L3E5B | REMARK |
|---|----------|------------------------------|------|-----------------|--------|
|   | 42       | VALVE BODY - COMPLETE        | 1    | ACXB62C01130    |        |
|   | 43       | VALVE BODY                   | 1    | ACXB62-01220    |        |
|   | 45       | VALVE BODY                   | 1    | ACXB62-00120    |        |
|   | 46       | BOILER PRESSURE TRANSDUCER   | 1    | ACXB62-01110    |        |
|    | 47       | SENSOR - COMPLETE            | 1    | ACXA50C00640    |        |
|    | 48       | LEAD WIRE - CO. (CN-DPS)     | 1    | ACXA60C93661    |        |
|   | 50       | TUBE ASSY - COMPLETE         | 1    | ACXT00C45280    |        |
|   | 51       | TUBE ASSY - COMPLETE         | 1    | ACXT00C45320    |        |
|   | 52       | TUBE ASSY - COMPLETE         | 1    | ACXT00C45330    |        |
|   | 53       | TUBE ASSY - COMPLETE         | 1    | ACXT00C45480    |        |
|   | 54       | TUBE ASSY - COMPLETE         | 1    | ACXT00C41010CZ  |        |
|   | 55       | TUBE ASSY - COMPLETE         | 1    | ACXT00C44160    |        |
|   | 57       | TUBE ASSY - COMPLETE         | 1    | ACXT00C37270    |        |
|   | 58       | TUBE ASSY - COMPLETE         | 1    | ACXT00C41030    |        |
|   | 59       | TUBE ASSY - COMPLETE         | 1    | ACXT00C44240    |        |
|   | 60       | TUBE ASSY - COMPLETE         | 1    | ACXT00C44120    |        |
|   | 61       | TUBE ASSY - COMPLETE         | 1    | ACXT00C44190    |        |
|   | 62       | TUBE ASSY - COMPLETE         | 1    | ACXT00C44170    |        |
|   | 63       | TUBE ASSY - COMPLETE         | 1    | ACXT00C44220    |        |
|   | 64       | FLOW SWITCH                  | 1    | ACXB62-00932    |        |
|  | 65       | LEAD WIRE - FLOW SENSOR      | 1    | ACXA60C82910    |        |
|  | 66       | SENSOR - CO.                 | 1    | ACXA50C19160    |        |
|   | 68       | CONNECTING BAR               | 1    | ACXE26-02900    |        |
|   | 69       | CONNECTING BAR               | 1    | ACXE26-02860    |        |
|   | 70       | CONNECTING BAR               | 1    | ACXE26-02910    |        |
|   | 71       | CONNECTING BAR               | 1    | ACXE26-02870    |        |
|   | 72       | CONNECTING BAR               | 1    | ACXE26-02880    |        |
|   | 73       | BOX SHAPED PLATE             | 1    | ACXD66-03960    |        |
|   | 74       | BOX SHAPED PLATE (DECO)      | 1    | ACXD66-03970    |        |
|   | 75       | CABINET SIDE PLATE ( L )     | 1    | ACXE04-13290A   |        |
|   | 76       | CABINET SIDE PLATE ( R )     | 1    | ACXE04-13300A   |        |
|   | 77       | CABINET REAR PLATE           | 1    | ACXE02-03400    |        |
|   | 78       | HANDLE                       | 2    | ACXE16-00300    |        |
|   | 79       | CONTROL BOARD                | 1    | ACXH10-09860    |        |
|  | 80       | ELECTRONIC CONTROLLER - MAIN | 1    | ACXA73C95260    |        |
|  | 81       | LEAD WIRE - COMPLETE         | 1    | ACXA60C96540    |        |
|  | 82       | REACTOR                      | 1    | G0C103Z00003    |        |

| SAFETY  | REF. NO. | DESCRIPTION & NAME                 | QTY. | WH-ADC0509L3E5B | REMARK |
|---|----------|------------------------------------|------|-----------------|--------|
|  | 83       | RESIDUAL CURRENT - CIRCUIT BREAKER | 2    | ACXA18-00011    |        |
|  | 84       | LEAD WIRE - COMPLETE               | 1    | ACXA60C73640    |        |
|  | 87       | TERMINAL BOARD ASSY                | 1    | CWA28K1217      |        |
|   | 88       | TERMINAL COVER                     | 1    | CWH171051       |        |
|   | 89       | HINGE                              | 2    | CWH611006       |        |
|   | 90       | CONTROL BOARD COVER                | 1    | ACXH13-09290    |        |
|   | 91       | HOLDER - P.S. CORD                 | 3    | CWH31103        |        |
|  | 92       | REMOTE CONTROL COMPLETE            | 1    | ACXA75C23080    |        |
|  | 93       | LEAD WIRE FOR REMOTE CONTROL       | 1    | ACXA60C93691    |        |
|   | 94       | REMOTE CONTROL SWITCH - COMPLETE   | 1    | ACXA75C23211    |        |
|   | 95       | CABINET TOP PLATE                  | 1    | ACXE03-04940    |        |
|   | 96       | CABINET FRONT PLATE                | 1    | ACXE06-05161A   |        |
|   | 97       | DECORATION BASE ASS'Y              | 1    | ACXE35K03630    |        |
|   | 98       | DECORATION BASE ASS'Y              | 1    | ACXE35K03640    |        |
|   | 99       | ACCESSORY ADJUSTABLE FEET          | 1    | CWH82C2112      |        |
|   | 100      | SOCKET COMPLETE                    | 1    | ACXT27-00020    |        |
|   | 101      | SOCKET                             | 1    | CWT271092       |        |
|   | 102      | SOCKET                             | 1    | ACXT27-00090    |        |
|   | 103      | OPERATING INSTRUCTION              | 1    | ACXF55-36240    |        |
|   | 104      | INSTALLATION INSTRUCTION           | 1    | ACXF60-51240    |        |
|   | 105      | INSTALLATION INSTRUCTION           | 1    | ACXF60-50710    |        |
|   | 106      | BAG - COMPLETE                     | 1    | CWG87C900       |        |
|   | 107      | MODEL LABEL                        | 1    | ACXF87-02480    |        |
|   | 108      | BAG                                | 1    | ACXG86-04782    |        |
|   | 109      | BASE BOARD - COMPLETE              | 1    | ACXG62C02790    |        |
|   | 110      | TOP BOARD COMPLETE                 | 1    | ACXG60C00300    |        |
|   | 111      | C.C. CASE                          | 1    | ACXG50-61790    |        |
|   | 112      | CHECK VALVE                        | 1    | ACXB03-00040    |        |

**Note:**

- All parts are supplied from PHVACCZ, Czech (Vendor Code: 00029407).
- "O" marked parts are recommended to be kept in stock.